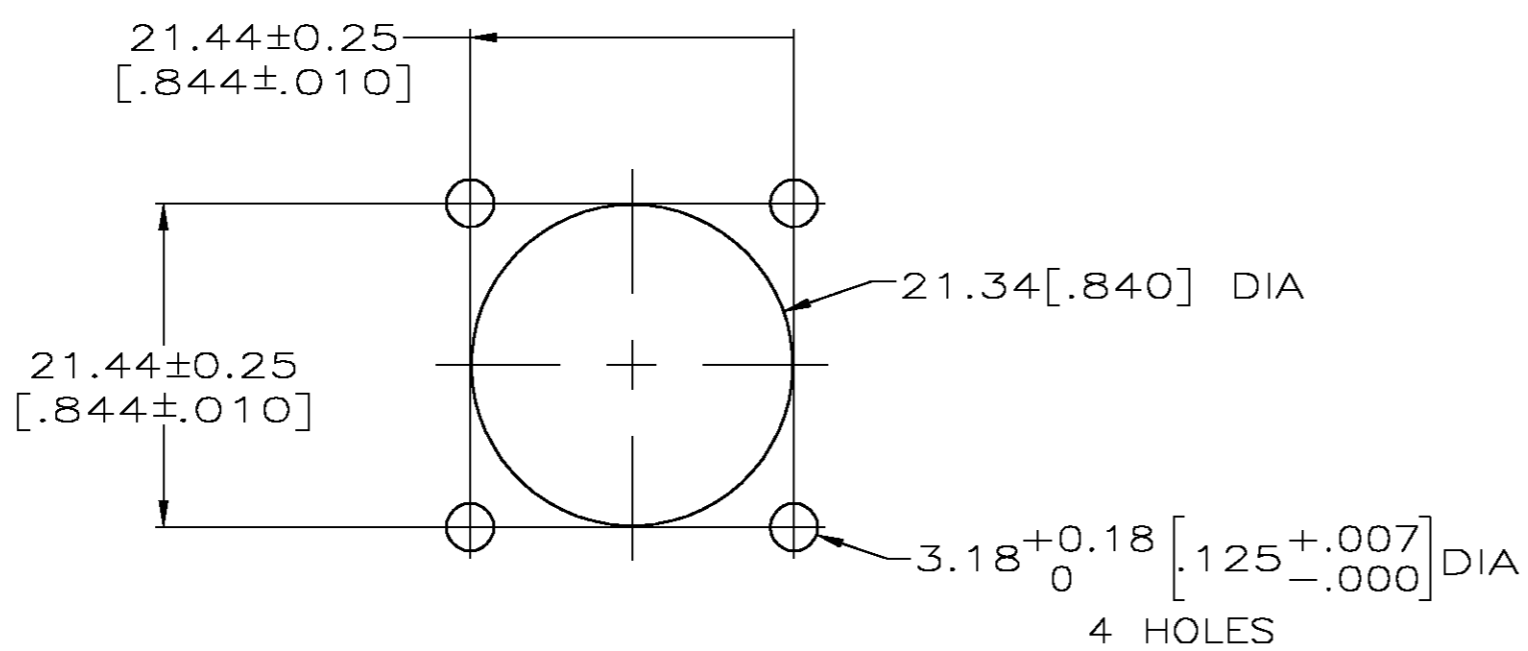
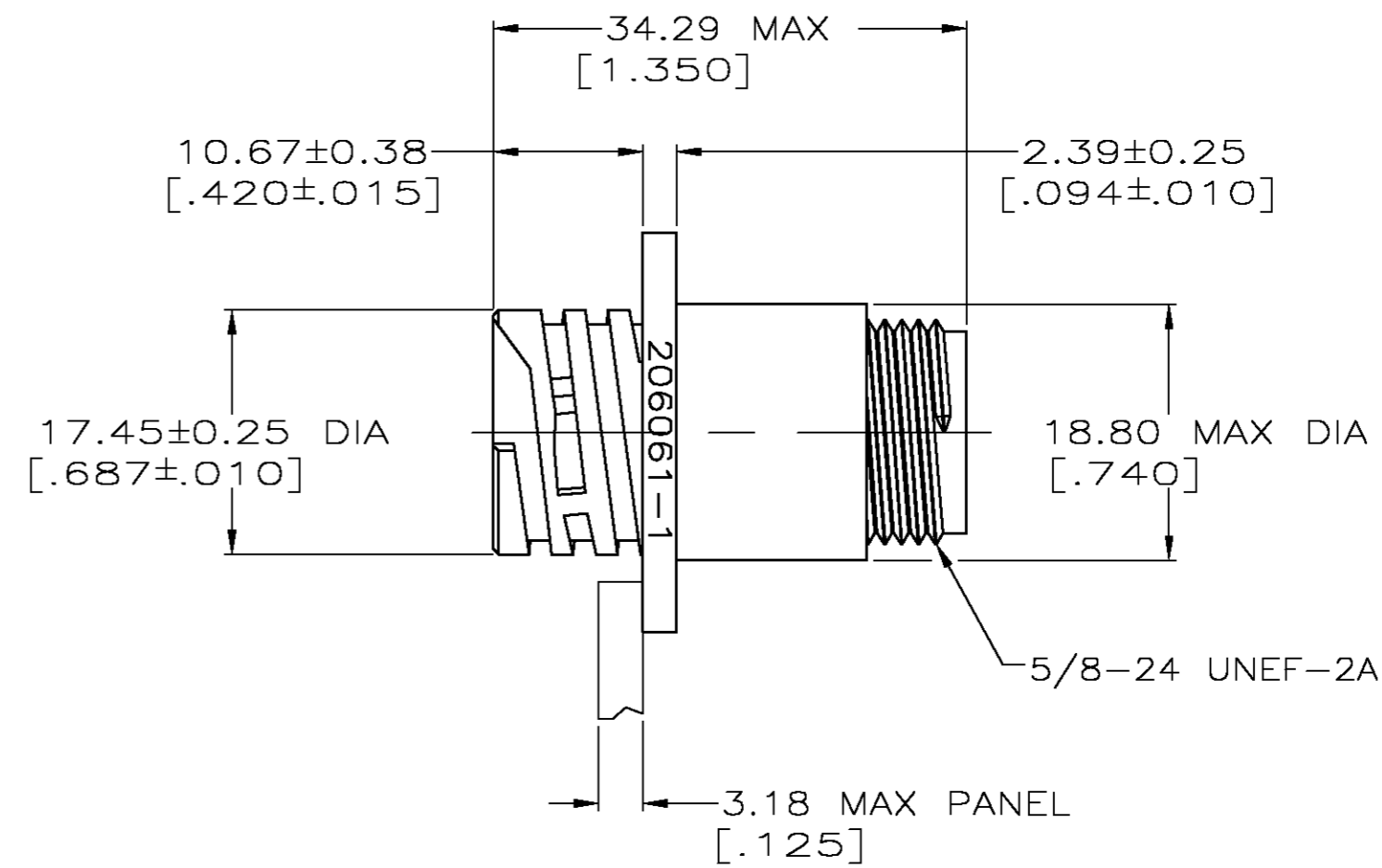
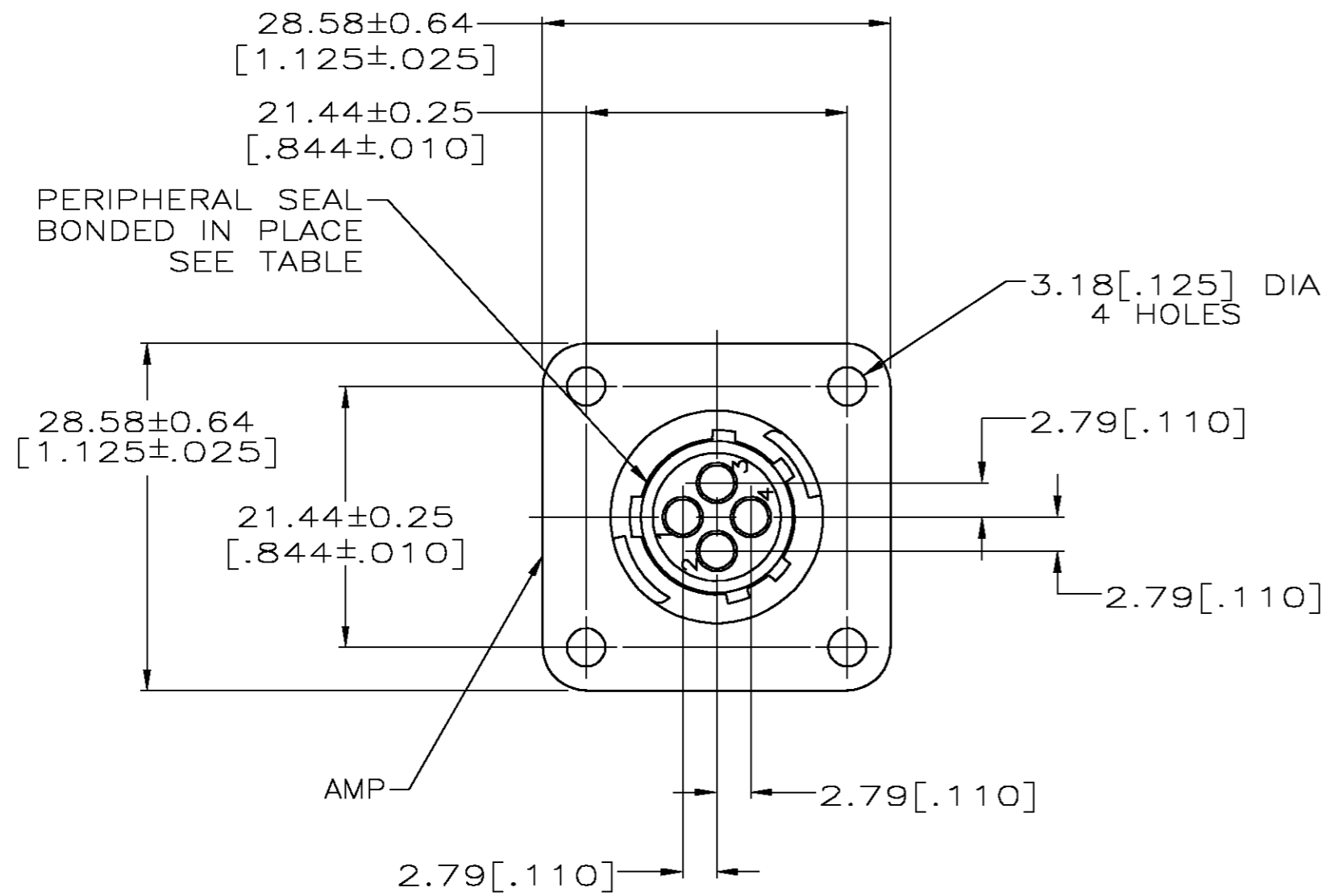
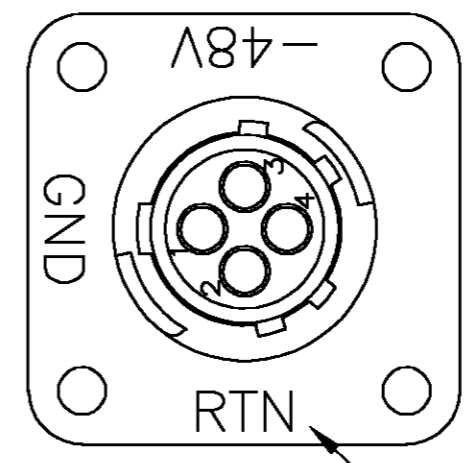


THIS DRAWING IS UNPUBLISHED. RELEASED FOR PUBLICATION
 © COPYRIGHT BY TYCO ELECTRONICS CORPORATION. ALL RIGHTS RESERVED.

| LOC | | DIST | | REVISIONS | | | |
|-----|-----|--------------------------|--------|-----------|------|--|--|
| P | LTR | DESCRIPTION | DATE | DWN | APVD | | |
| FT | 0 | | | | | | |
| | F | REVISED PER 0G3B-0765-04 | 9/8/04 | SS | SH | | |



RECOMMENDED PANEL CUTOUT



DETAIL A -5 ONLY
 RTN, GND AND -48V MARKED WITH WHITE INK, .118 MAX.

| | | | |
|----------|------------|-----------------|----------|
| DETAIL A | STANDARD | NO | 206061-5 |
| - | SMALL PACK | NO | 206061-3 |
| - | STANDARD | YES | 206061-2 |
| - | STANDARD | NO | 206061-1 |
| MARKING | PACKAGING | PERIPHERAL SEAL | PART NO. |

- NOTES:
1. CAVITY IDENTIFICATION ON FRONT AND REAR FACE.
 2. WILL ACCEPT FOUR (4) MULTIMATE PIN CONTACTS.

| | | | | |
|--|------------|-------------------------|---|-----------------|
| THIS DRAWING IS A CONTROLLED DOCUMENT. | | DWN 07/26/93 D.GELTZ | Tyco Electronics Corporation Harrisburg, Pa 17105-3608 | |
| DIMENSIONS: INCHES | | CHK 08/11/93 R.STONE | NAME | |
| TOLERANCES UNLESS OTHERWISE SPECIFIED: | | APVD - | RECEPTACLE HOUSING, STANDARD SEX, SHELL SIZE 11, CPC | |
| 0 PLC ± - | 1 PLC ± - | PRODUCT SPEC 108-10024 | SIZE A2 | CAGE CODE 00779 |
| 2 PLC ± 0.13 [.005] | 3 PLC ± - | APPLICATION SPEC - | DRAWING NO C=206061 | RESTRICTED TO - |
| 4 PLC ± - | ANGLES ± - | WEIGHT - | SCALE 2:1 | SHEET 1 OF 1 |
| MATERIAL NYLON, BLACK | FINISH - | CUSTOMER DRAWING | REV F | |